

ZOOMLION ARTICULATING BOOM LIFT

ZA80J

Comply with CE/ANSI/CSA Standard



HIGHLIGHTS

- ▶ Provide a work height of 86ft 1in, horizontal outreach of 162ft, up and over height of 30ft 6in, and lift capacity of 550 lb for higher efficiency
- ▶ Build-in multiple pressure control leveling system to enhance stability
- ▶ Precise load sensing system to improve overload safety operations
- ▶ Platform fast lifting function provides high-efficient performance without tower boom operation
- ▶ Outstanding below ground reach of 16ft 9in



FEATURES

Standard Features

Horn
All motion alarm
Proportional control
Self-closing entry gate
Flashing beacon
Auto-leveling system
Emergency stop button
Over tilt protection system
Emergency descent system
On-board diagnostic system
Oscillating axle
4.3' LED display
Load sensing system
Swing-out engine tray

Accessories & Options

- ▶ Platform work lights
- ▶ Anti-collision device
- ▶ AC power to platform



ACCESS WITH ZOOMLION GREEN

Phone: 1 (833) USA-ZOOM
E-mail: sales@zoomlion-na.com

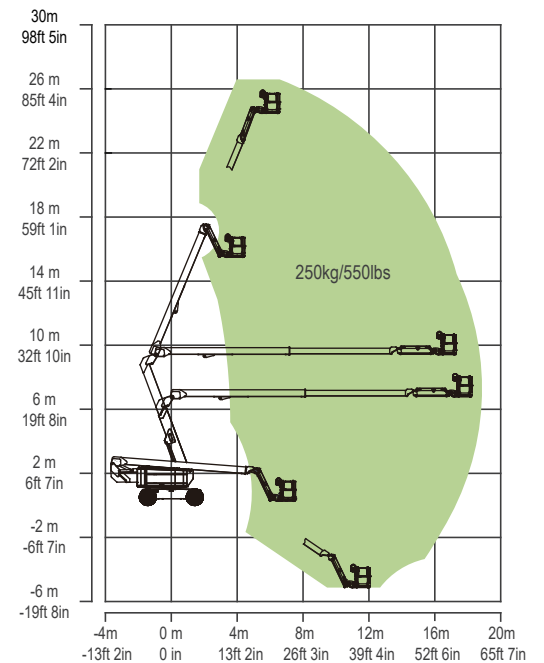
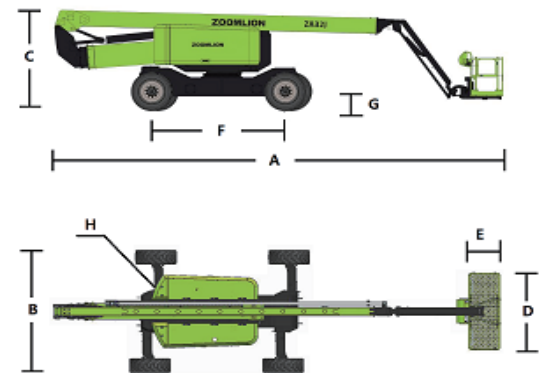
Add: Zoomlion Heavy Industry NA, Inc. 14215 Two Mile Road, Yorkville, WI 53126
Web: www.zoomlion-na.com

MAIN SPECS OF ARTICULATING BOOM LIFT

ZA80J

Comply with CE/ANSI/CSA Standard

Model	ZA80J	
	Imperial	Metric
Size		
Work Height	86ft 1in	26.23m
Platform Height	79ft 6in	24.23m
Horizontal Outreach	62ft	18.9m
Up and Over Height	30ft 6in	9.29m
A - Stowed Length	36ft 12in	11.27m
B - Stowed Width	8ft 2in	2.49m
C - Stowed Height	9ft 3in	2.82m
D - Platform Length	8ft	2.44m
E - Platform Width	2ft 12in	0.91m
F - Wheelbase	10ft	3.05m
G - Ground Clearance	1ft 5in	0.42m
Performance		
Platform Capacity	550 lb	250kg
Drive Speed	3.11 mph	5.0km/h
Gradeability	45%(24°)	
Axles Oscillation	8in	0.2m
Turning Radius (Inside)	10ft 4in	3.144m
Turning Radius (Outside)	21ft 3in	6.48m
Turntable Swing	360° continuous	
Platform Rotation	±90°	
H-Tail Swing	3ft 4in	1.022m
Max. Working Slope	4°	
Max. Wind Speed	28mph	12.5m/s
Power		
Diesel Engine	Cummins QSF2.8 Kubota V2607 (EU V)	
Fuel Tank Capacity	39.6 (us gal)	150L
Auxiliary Power	12V	
Control Voltage	12V	
Hydraulic System Capacity	63.4 (us gal)	240L
Hydraulic Tank Capacity	47.6 (us gal)	180L
Tire		
Type	15-625 Foam-filled Tires	
Weight		
Gross	39992 lb	18140kg



Range of Motion ZA80J